



Profi

PROFESSIONAL MANUAL TILE CUTTER

SIDE EXTENSIONS

Very practical for cutting big sizes of tiles.

PACKAGING

Multilingual flexographed packaging.

TRANSPORT

Very easy to carriage with all the parts closed, to reduce the encumbrance.

*Designed
and made
in Italy*

	Art. 61000	Art. 6800	Art. 6600	Art. 6400
CUTTING LENGTH	1030 mm.	830 mm.	630 mm.	450 mm.
MAX SIZE TILE FOR DIAGONAL CUTS	720x720 mm.	580x580 mm.	440x440 mm.	320x320 mm.
CUTTING THICKNESS	5-15 mm.	5-15 mm.	5-15 mm.	5-15 mm.
CUTTING WHEEL	Ø 15x6x1,5 mm.	Ø 15x6x1,5 mm.	Ø 15x6x1,5 mm.	Ø 15x6x1,5 mm.
PACKING DIMENSION	1340x281x265 mm.	1140x281x265 mm.	996x281x265 mm.	816x281x265 mm.
PIECES ON PALLET	21	21	28	28
PALLET DIMENSION	1340x843x2020 mm.	1200x 843x2020 mm.	1000x1200x2060 mm.	820x1200x2060 mm.
NET WEIGHT	13,7 Kg.	12 Kg.	9,9 Kg.	8,5 Kg.



BATTIPAVTM
MACCHINE PER EDILIZIA | MACHINES FOR BUILDING

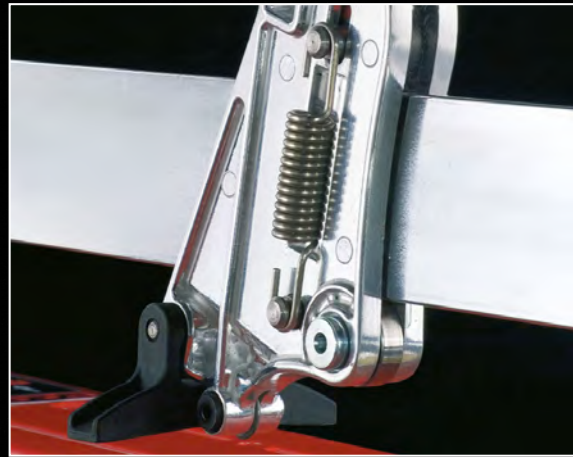
Z. i. 2 - Via Cavatorta, 6/1 | 48010 Cotignola (Ra) | ITALY
Tel. +39 0545 40004 | Fax +39 0545 41724
www.battipav.com | sales@battipav.com

AUTHORIZED DEALER:



APPLICATION

Built to cut single-double fired ceramic and porcelain stoneware tiles

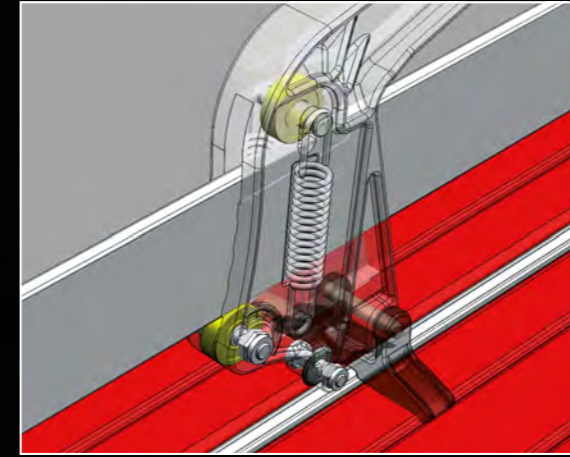


QUICK START SYSTEM

The carriage is provided with springs that makes the handle always ready to cut.

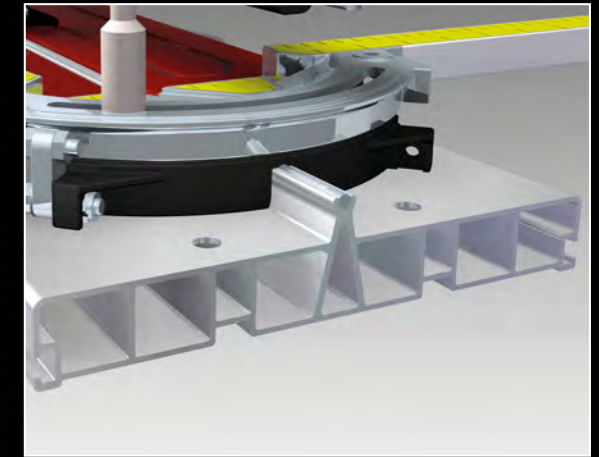
Soft Grip

Very comfortable for a better work



CARRIAGE

The carriage in aluminium is equipped with two ball-bearings for a perfect sliding and top precision.



STRUCTURE

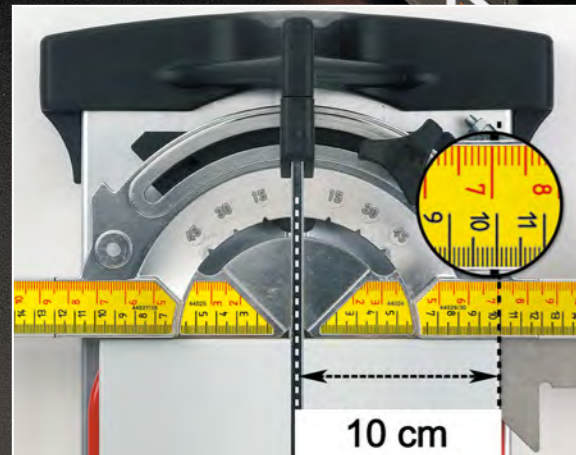
Strong body made in aluminium draw-plate to get rigidity and lightness at the same time.

PUSHING CUTTING SYSTEM

WORKING TABLE

In shaped and cushioned steel with cutting line in stainless steel.

ADJUSTABLE SUPPORT FOR MULTI-CUTS



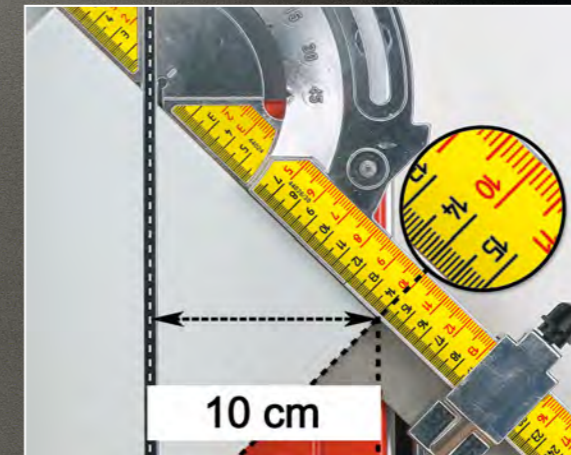
STRAIGHT CUTS

Goniometric square in "90°" position for a direct reading of the measurement for straight cuts (Black lower scale).



GONIOMETRIC SQUARE

It can be rotated in all the direction: from -45° to 0 to +45°. Provided with double metric scale for the direct reading of the measurement of straight and diagonal cuts.



DIAGONAL CUTS

Goniometric square in "45°" position for a direct reading of the measurement for diagonal cuts (Red upper scale).