



TRANSPORT WHEELS
Folding wheels Ø 100 mm for a practical use



45° ANGLE CUTS STANDARD



PACKAGING
Multilingual flexographed packaging

e..GO 80

MASONRY SAW

*Designed
and made
in Italy*



Art. 8000	
DIAMOND DISK (Optional)	Ø300 or Ø350 mm. (int Ø25,4 mm.)
ENGINE	230V 50Hz 3Hp/2,2kW
ROTATION SPEED	2800 rpm.
AMPEROMETRICAL PROTECTION	13A
MAX CUTTING LENGTH	800 mm.
MAX CUTTING DEPTH AT 90° (Ø350 mm)	110 mm.
MAX CUTTING DEPTH AT 90° (Ø300 mm)	85 mm.
MAX CUTTING DEPTH IN 2 RUNS (Ø350 mm)	125 mm.
MAX CUTTING DEPTH AT 45°	80 mm.
WORKING TABLE SIZE	514 x 452 mm.
KIT WHEELS	Standard
DIMENSION MACHINE IN SERVICE	640x1124x h. 1270 mm.
DIMENSION MACHINE IN STOCK	720x1160x h. 815 mm.
DIMENSION 3 MACHINES ON PALLET	720x1160x h. 2140 mm.
NET WEIGHT	67 Kg.

BATTIPAV™
MACCHINE PER EDILIZIA | MACHINES FOR BUILDING

Z. i. 2 - Via Cavatorta, 6/1 | 48010 Cotignola (Ra) | ITALY
Tel. +39 0545 40004 | Fax +39 0545 41724
www.battipav.com | sales@battipav.com

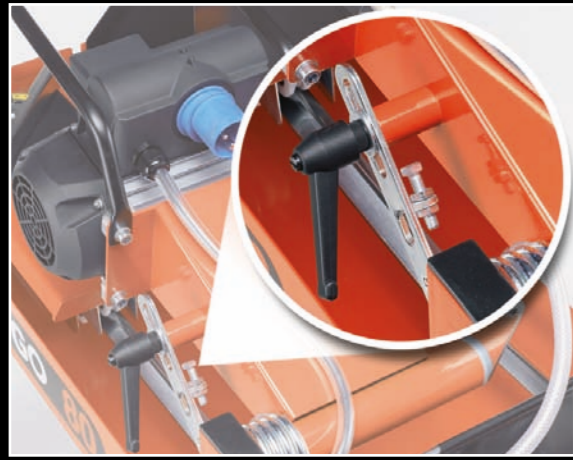
AUTHORIZED DEALER:



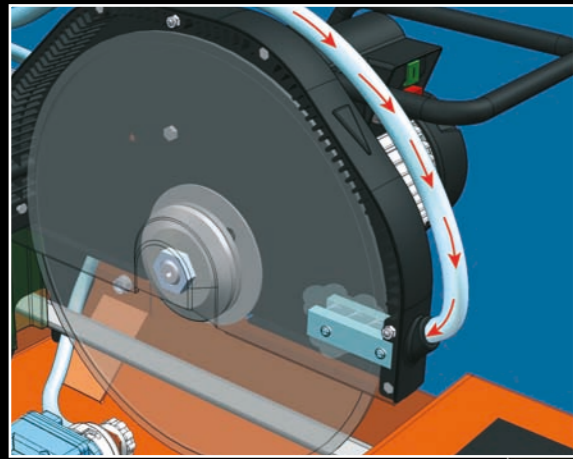
July 2012

APPLICATION

Built to cut bricks, stones, concrete blocks, granite, marble and porcelain tiles with diamond disk Ø300 or Ø350



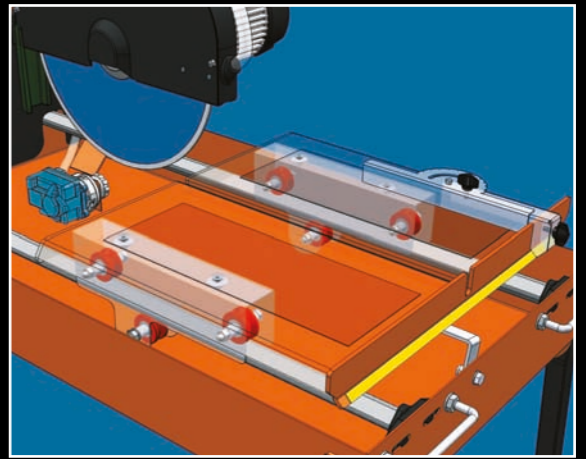
Adjusting handle for using diamond disk
Ø300 or Ø350 mm.



ORIGINAL RECYCLING PUMP



Tilting head for faster and more precise cutting.
The head can be adjusted at the requested height.



Working table sliding on six adjustable nylon
wheels and eight ball-bearings for higher
precision and stability.

