

# Part -List TX-1200-N



GERMANS BOADA S.A.

## TX-1200-N

Ref. 17974, 17977

Fecha / Date: 26/05/14

Revision: 5.19

Queda reservado el derecho de introducir cualquier modificación técnica sin previo aviso

We reserve the right to introduce any technical modification without previous notice

Pos	Ref,	Designación	Descripcion	N.P.M
1	17818	CORREDERA CON EJE PINTADA	PAINTED CARRIER WITH AXLE	1
2	17207	BIELA TR/TX	LEVY TR/TX	1
3	17100	PASADOR CILINDRICO DIAM 8X30	AXIS Ø8X30	2
4	17650	POMO LEVA POSICIONADORA	POSITION LEVY POME	1
5	17034	LEVA TX	POSITION LEVY	2
6	50211	TORN DIN 7981 3,9X16 ST ZN	SCREW DIN 7981 3,9X16 ST ZN	2
7	17817	CORREDERA SIN EJE PINTADA	PINTED CARRIER WHITOUT AXIS	1
8	16026	TOPE CORREDERA TM/TX	CARRIER TOP TM/TX	2
9	17765	SOPORTE GUIAS TX V4	GUIDE SUPPORT TX V4	2
10	17020	TORN DIN 912 M14X25 8.8 PVN	SCREW DIN 912 M14X25 8.8 PVN	4
11	17764	GUIA DIA. 18X3X1398,4 CROMADA	CHROMED GUIDE 18X3X1398,4	2
12	17606	PERFIL 7X30X1394	PROFILE 7X30X1394	2
13	12099	PALANCA BRIDA TI	LEVER BRIDLE TI	1
14	12127	PASADOR DIN 6325 DIA.5X22	FASTEN DIN 6325 DIA.5X22	1
15	12123	PASADOR RANUR.DIN 1475 D.5X12	FASTEN GROOVE DIN 1475 D.5X12	1
16	12079	BIELA PISADOR TI	BREAKING FEET LEVY TI	1
17	12082	BRIDA ESCUADRA TI	BRIDLE TI SQUARE	1
18	12444	PISADOR BRIDA TI	BREAKING FEET BRIDLE TI	1
19	12815	CJ.PISADOR ESCUADRA TI/TX	SQUARE BREAKING FEET SET TI/TX	1
20	17747	CJ.ESCUADRA TX-900-N/TI-93-S V2 GRAB.MM	SQUARE ASS.TX-900-N/TI-93-S V2 MM	1
20	17748	CJ.ESCUADRA TX-900-N/TI-93-S V2 GR.PULG.	SQUARE ASS.TX-900-N/TI-93-S V2 INCH	1
21	17036	EJE DESLIZANTE	SLIDING AXIS	1
22	17035	TACO DESLIZANTE TX	ROLER AXIS TX	2
23	12509	TUERCA M18X1 H4 LATON	NUT M18X1 H4 LATON	1
26	12190	BOTON ANCLAJE TI/R V2	ANCHORAGE BUTTON TI/R V2	1
27	12491	PRISIONERO DIN 916 M5X6	PRISONER DIN 916 M5X6	1
28	12438	CUERPO TOPE TI V3	TOP TI V3	1
29	12403	MUELLE COMPRES.7x8,6x15,2	COMPRES. SPRING.7X8,6X15,2	1
30	12416	EJE GRADUACION TI V3 PRESELLADO	EJE GRADUACION TI V3 PRESELLADO	1
33	17017	POMO M6X25 ROJO	KNOB M6X25 RED	1
34	17021	CJ.POMO M6X10 ROJO	RED HANDLE M6X10	1
35	17741	GUIA TOPE LATERAL TX	LATERAL TOP GUIDE TX	1
36	17227	TOPE LATERAL TR-S/TX-N	LATERAL STOP TR-S/TX-N	1
37	17549	CONTERA GOMA ESF.DIA.21X29	GUM SHOE D.21X29	4
40	17011	PLANCHA FLOT.DER.TX-700 V2	RIGHT FLOATING PLATE TX-700 V2	1
41	12086	CLIP BASE FLOTANTE TI	CLIP FLOATING BASE	16
42	12097	MUELLE COMPRES.11,3X14,7X35,2	COMPRES. SPRING.11,3X14,7X35,2	8
43	17012	PLANCHA FLOT.IZQ.TX-700 V2	LEFT FLOATING PLATE TX-700 V2	1
44	40020	TUERCA DIN 985 M6 ZN AUTOBLOC	NUT DIN 985 SCREW M6 ZN AUTOBLOCK	4
45	12114	TUERCA ESPECIAL TI	SPECIAL NUT TI	4
46	12081	BRAZO LATERAL TI	LATERAL ARM TI	4
47	17177	TORN DIN 912 M6X35 ZN	SCREW DIN 912 SCREW M6X35 ZN	4

Ref. 91245



GERMANS BOADA S.A.

# TX-1200-N

Ref. 17974, 17977

Fecha / Date: 26/05/14

Revision: 5.19

Queda reservado el derecho de introducir cualquier modificación técnica sin previo aviso

We reserve the right to introduce any technical modification without previous notice

Pos	Ref.	Designación	Descripcion	N.P.M
48	50002	ARAND DIN 9021 A6,5 NYLON	NYLON RING 9021 A 6,5	4
49	12095	MUELLE CONICO TI	CONICAL SPRING TI	4
50	15172	TORN DIN 6921 M8X25 ZN	SCREW DIN 6921 M8X25 ZN	4
51	45056	ARAND DIN 125 A8,5 ZN	SWASHER DIN 125 A8,5 ZN	4
52	17016	TOPE CORREDERAS TX	CARRIER TOP TX	2
53	16835	CJ.MANGO M-10 TM/TX	HANDLE SET M-10 TM/TX	1
54	17064	PALANCA PISON TX	PITCHER LEVER TX	1
55	1959	RODEL PLUS DIA 8 MM WIDIA	RODEL PLUS DIA 8 MM WIDIA	1
55	1962	RODEL PLUS DIA 22 MM WIDIA	RODEL PLUS DIA 22 MM WIDIA	1
55	1965	RODEL PLUS DIA 22 MM GOLD	RODEL PLUS DIA 22 MM GOLD	1
55	1991	RODEL PLUS DIA 10 MM WIDIA	RODEL PLUS DIA 10 MM WIDIA	1
55	1992	RODEL PLUS DIA 18 MM WIDIA	RODEL PLUS DIA 18 MM WIDIA	1
55	1993	RODEL PLUS DIA 10 MM GOLD	RODEL PLUS DIA 10 MM GOLD	1
55	1994	RODEL PLUS DIA 18 MM GOLD	RODEL PLUS DIA 18 MM GOLD	1
57	15129	TORN DIN 913 M10X10X1,25	SCREW DIN 913 M10X10X1,25	1
58	15128	MUELLE FRENO PHTAS	BRAKE SPRING	1
59	15113	TACO DE NYLON	NYLON TOP	1
60	17065	PORTAHERRAM.PINTADO TX	PAINTED TOOL SET	1
70	17847	CJ.ESCUADRA TX-900-N V2 MM	SQUARE SET TX-900-N V2 MM	1
70	17848	CJ.ESCUADRA TX-900-N V2 PULG	SQUARE SET TX-900-N V2 INCH.	1
71	16091	TORN DIN 912 M8X25 ZN NEGRO	SCREW DIN 912 M8X25 ZN BLACK	2
72	55048	TUERCA DIN 985 M8 ZN AUTOBL.	NUT DIN 985 M8 ZN AUTOBL.	2
73	45342	ASA PLASTICO	PLASTIC HANDLE	1
74	17050	REFUERZO BASE TX-1200 V2	BASE BRACE TX-1200 V2	1
75	17032	PLANCHA FLOT.IZQ.TX-1200 V2	LEFT PLATE TX-1200 V2	1
76	17031	PLANCHA FLOT.DER.TX-1200 V2	RIGHT PLATE TX-1200 V2	1
77	17604	BASE TX-1200 V3	BASE TX-1200 V3	1
78	17608	EMPALME BASE TX-1200 V3	BASE SPLICE TX-1200 V3	1
79	17056	SUPLEMENTO COSTILLA TX-1200 V2	RIB SUPPLEMENT TX-1200 V2	1
80	17849	CJ.RUEDA TX-1200-N V2 MONTADA	WHEEL SET TX-1200-N V2	2
81	17605	BASE TX-1200 V3 S/MEC.	BASE TX-1200 V3	1
83	15775	CIERRE 54X31 CENTRAL TX V2	PLASTIC LATCH 54X31 CENTRAL TX V2	1
84	15761	CIERRE 89X54 TS50/60,TR,TM,TX	PLASTIC LATCH 89X54 (TS50/60,TR,TM,TX)	1
85	17877	CJ.MALETA TX-1200-N	SUITCASE SET TX-1200-N	1
86	17806	CJ.SEPARADOR TX	SEPARATOR TX SET	1
87	17878	CJ.TOPE LATERAL TX-N V2	LATERAL TOP SET TX-N V2	1



# TX-1200-N

Ref. 17974, 17977

Fecha / Date: 26/05/14

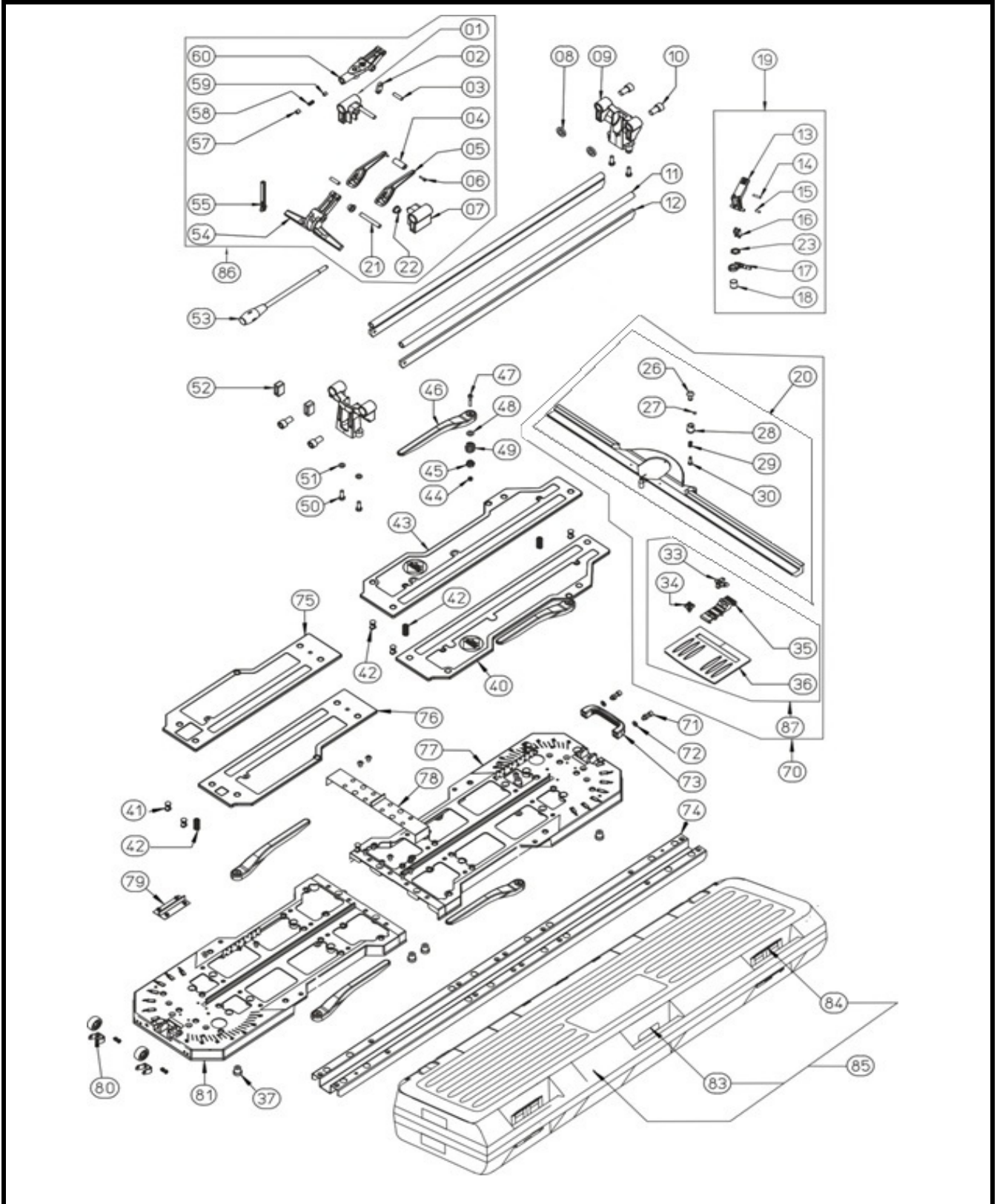
Revision: 5.19

GERMANS BOADA S.A.

Queda reservado el derecho de introducir cualquier modificación técnica sin previo aviso

We reserve the right to introduce any technical modification without previous notice

Pos	Ref.	Designación	Descripcion	N.P.M
-----	------	-------------	-------------	-------



Ref. 91245