


Part -List SLIM CUTTER

 <p style="margin: 0;">GERMANS BOADA S.A.</p>	<h2 style="margin: 0;">SLIM CUTTER</h2> <p style="margin: 0; font-weight: normal;">Ref: 18911</p>	
	Fecha / Date: 12/06/2014	Revision: 2.5
	Queda reservado el derecho de introducir cualquier modificacion técnica sin previo aviso	We reserve the right to introduce any technical modification without previous notice

Pos	Ref.	Designación	Description	N.P.M
A				
1	18186	ETIQ.LOGO PARA: REF:18911	STICKER.LOGO FOR REF:18911	1
2	18912	RODEL Ø 22 SLIM CUTTER	SLIM CUTTER SCORING WHEEL	1
3	18706	CJ. CHASIS CARRO	CART FRAME SET	1
4	18707	CJ. POMO SLIM CUTTER	SLIM CUTTER KNOB SET	1
5	18708	CJ. RODAMIENTO EXCÉNTRICO	ECCENTRIC BEARING SET	1
6	18709	CJ.RODAMIENTO LATERAL	LATERAL BEARING SET	2
7	18714	CJ. TORNILLO RULINA	SCORINGWHEEL SCREW SET	1
8	57335	TUERCA DIN 6923 M8 8.8 ZN	NUT DIN 6923 M8 8.8 ZN	1
18	18713	CJ.CABEZAL SLIM CUTTER	SLIM CUTTER HEAD. ASSEMBLY	1
B				
9	18184	ETIQ.PARA REF:18911	STIKER FOR REF:18911	1
10	18218	PERFIL SLIM CUTTER	SLIM CUTTER GUIDE	1
11	18219	JUNTA TORICA DIAM. 2.5	O-RING DIAM. 2.5	2
12	18705	CONJUNTO VENTOSA SLIM CUTTER	SLIM CUTTER SUCTION CUP ASSEMBLY	2
13	18913	SUPLEMENTO GUIA SLIM CUTTER 1100 mm	SLIM CUTTER GUIDE SUPPLEMENT	2
14	12278	CJ.POMO M6X15 ROJO	RED KNOB ASS. M6X15	2
15	18215	TUERCA CARRIL T-M6 SLIM CUTTER	RAIL T NUT M6 SLIM CUTTER	2
C				
16	18230	BOLSA TRANSPORTE SLIM CUTTER	SLIM CUTTER TRANSPORT BAG	1
17	18812	TENAZAS SLIM SYSTEM	SLIM SYSTEM PLIERS	2

Exploding SLIM CUTTER



SLIM CUTTER

Ref: 18911

Fecha / Date: 12/06/2014

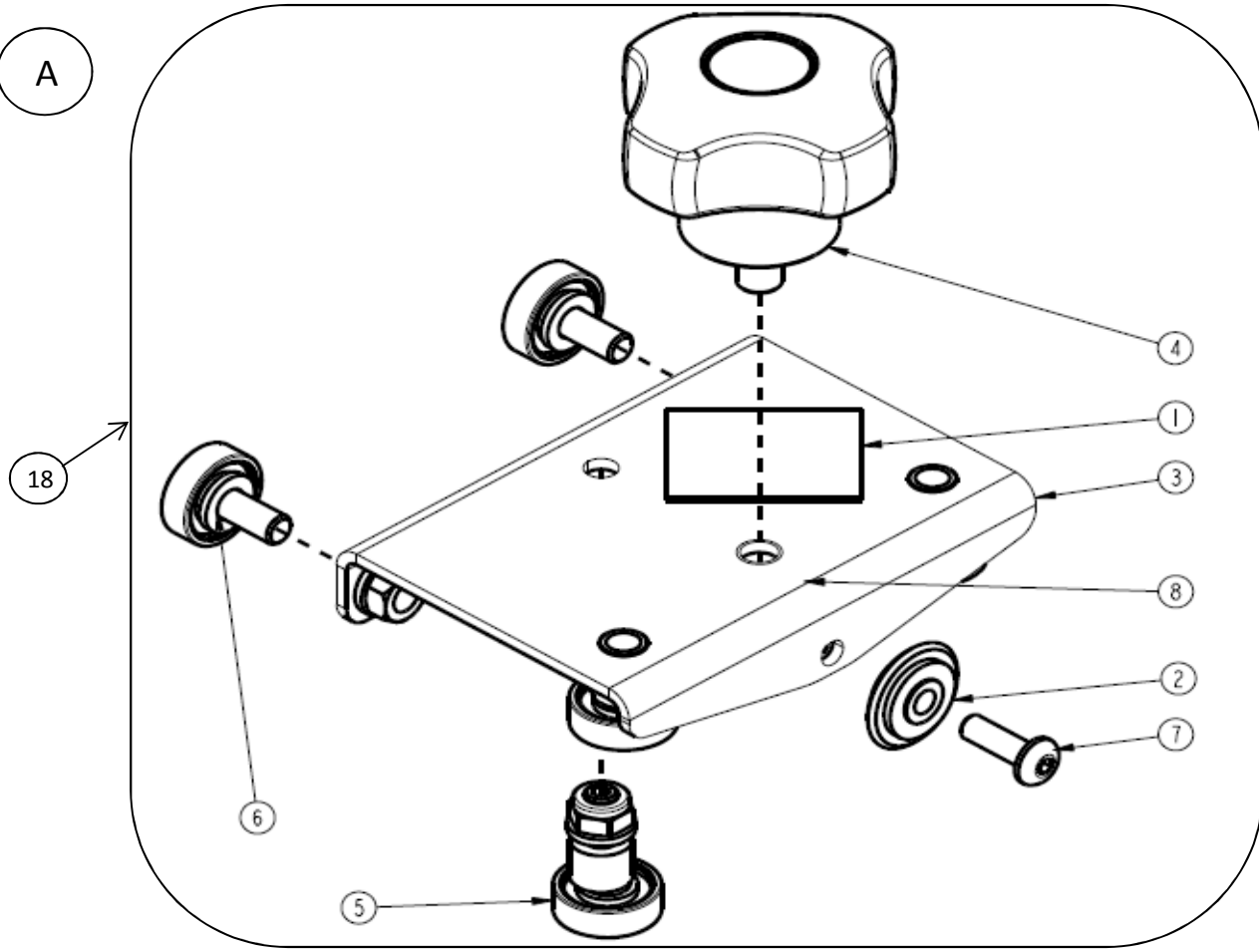
Revision: 2.5

GERMANS BOADA S.A.

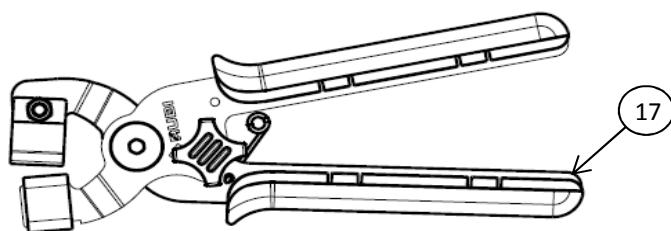
Queda reservado el derecho de introducir cualquier modificación técnica sin previo aviso

We reserve the right to introduce any technical modification without previous notice

A



C



Ref. 91357

Exploding SLIM CUTTER



GERMANS BOADA S.A.

SLIM CUTTER

Ref: 18911

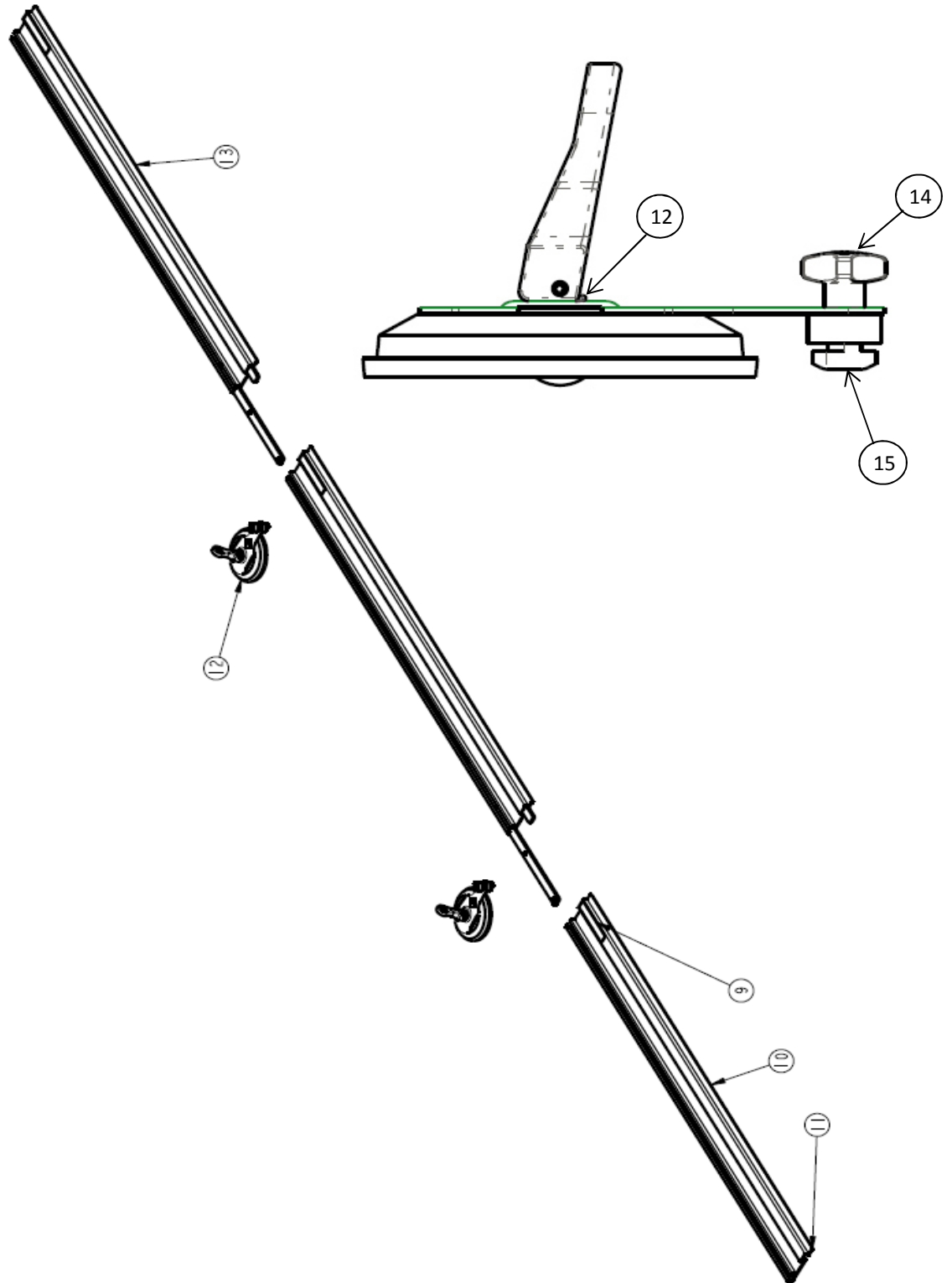
Fecha / Date: 12/06/2014

Revision: 2.5

Queda reservado el derecho de introducir cualquier modificación técnica sin previo aviso

We reserve the right to introduce any technical modification without previous notice

B



Ref. 91357