



Part -List TX-700-900

 GERMANS BOADA S.A.	<h2>TX-700-900</h2> <p>Ref.17978, 17979, 17980, 17981</p>	
	Fecha / Date:01/03/13 Queda reservado el derecho de introducir cualquier modificación técnica sin previo aviso	Revision: 3.12 We reserve the right to introduce any technical modification without previous notice

Pos	Ref,	Designación	Descripcion	N.P.M
1	17818	CORREDERA CON EJE PINTADA	PAINTED CARRIER WITH AXLE	1
2	17207	BIELA TR/TX	LEVY TR/TX	1
3	17100	PASADOR CILINDRICO DIAM 8X30	AXIS Ø8X30	2
4	17650	POMO LEVA POSICIONADORA	POSITION LEVY POME	1
5	17034	LEVA TX	POSITION LEVY	2
6	50211	TORN DIN 7981 3,9X16 ST ZN	SCREW DIN 7981 3,9X16 ST ZN	2
7	17817	CORREDERA SIN EJE PINTADA	PINTED CARRIER WHITOUT AXIS	1
8	16026	TOPE CORREDERA TM/TX	CARRIER TOP TM/TX	2
9	17554	SOPORTE GUIAS TX V2	GUIDE SUPPORT TX V2	2
10	17627	TORN DIN 912 M14X25 5.6 ZN PRESELLADO	SCREW DIN 912 M14X25 ZN PRE-SEALED	4
11	17058	GUIA DIA.18X3X846 CROMADA	CHROMED GUIDE 18X3X846	2
11	17059	GUIA DIA.18X3X1066 CROMADA	CHROMED GUIDE 18X3X1066	2
12	17676	PERFIL "I" TX-700 V2	PROFILE "I" TX-700 V2	2
12	17677	PERFIL "I" TX-900 V2	PROFILE "I" TX-900 V2	2
21	17036	EJE DESLIZANTE	SLIDING AXIS	1
22	17035	TACO DESLIZANTE TX	ROLER AXIS TX	2
37	17549	CONTERA GOMA ESF.DIA.21X29	GUM SHOE D.21X29	4
38	17000	BASE TX-700 V2	PAINTED BASE TX-700 V2	1
38	17013	BASE TX-900 V2	PAINTED BASE TX-900 V2	1
40	17011	PLANCHA FLOT.DER.TX-700 V2	RIGHT FLOATING PLATE TX-700 V2	1
40	17014	PLANCHA FLOT.DER.TX-900 V2	RIGHT FLOATING PLATE TX-900 V2	1
41	12086	CLIP BASE FLOTANTE TI	CLIP FLOATING BASE	8
42	12097	MUELLE COMPRES.11,3X14,7X35,2	COMPRES. SPRING.11,3X14,7X35,2	4
43	17012	PLANCHA FLOT.IZQ.TX-700 V2	LEFT FLOATING PLATE TX-700 V2	1
43	17015	PLANCHA FLOT.IZQ.TX-900 V2	LEFT FLOATING PLATE TX-900 V2	1
44	40020	TUERCA DIN 985 M6 ZN AUTOBLOC	NUT DIN 985 SCREW M6 ZN AUTOBLOCK	2
45	12114	TUERCA ESPECIAL TI	SPECIAL NUT TI	2
46	12081	BRAZO LATERAL TI	LATERAL ARM TI	2
47	61127	TORN DIN 912 M6X30 ZN	SCREW DIN 912 SCREW M6X30 ZN	2
48	50002	ARAND DIN 9021 A6,5 NYLON	NYLON RING 9021 A 6,5	2
49	12095	MUELLE CONICO TI	CONICAL SPRING TI	2
50	15172	TORN DIN 6921 M8X25 ZN	SCREW DIN 6921 M8X25 ZN	4
51	45056	ARAND DIN 125 A8,5 ZN	SWASHER DIN 125 A8,5 ZN	4
52	17016	TOPE CORREDERAS TX	CARRIER TOP TX	2
53	16835	CJ.MANGO M-10 TM/TX	HANDLE SET M-10 TM/TX	1
54	17064	PALANCA PISON TX	PITCHER LEVER TX	1
55	1959	RODEL PLUS DIA 8 MM WIDIA	RODEL PLUS DIA 8 MM WIDIA	1
55	1962	RODEL PLUS DIA 22 MM WIDIA	RODEL PLUS DIA 22 MM WIDIA	1
55	1965	RODEL PLUS DIA 22 MM GOLD	RODEL PLUS DIA 22 MM GOLD	1
55	1991	RODEL PLUS DIA 10 MM WIDIA	RODEL PLUS DIA 10 MM WIDIA	1
55	1992	RODEL PLUS DIA 18 MM WIDIA	RODEL PLUS DIA 18 MM WIDIA	1
55	1993	RODEL PLUS DIA 10 MM GOLD	RODEL PLUS DIA 10 MM GOLD	1

Ref. 91243

Part -List TX-700-900

 GERMANS BOADA S.A.	TX-700-900	
	Ref.17978, 17979, 17980, 17981	
	Fecha / Date:01/03/13	Revision: 3.12
Queda reservado el derecho de introducir cualquier modificación técnica sin previo aviso	We reserve the right to introduce any technical modification without previous notice	

Pos	Ref,	Designación	Descripcion	N.P.M
55	1994	RODEL PLUS DIA 18 MM GOLD	RODEL PLUS DIA 18 MM GOLD	1
57	15129	TORN FRENO PHTAS-TS	BRAKE SCREW TOOLHOLDER TS	1
58	15128	MUELLE FRENO PHTAS	BRAKE SPRING	1
59	15113	TACO DE NYLON	NYLON TOP	1
60	17065	PORTAHERRAM.PINTADO TX	PAINTED TOOL SET	1
61	17895	POMO TOPE LATERAL	LATERAL TOP POME	1
62	50210	ARAND DIN 125 A13 ZN	WASHER DIN 125 A13 ZN	1
63	17069	POSTIZO LEVA	WIPE PAD	1
64	17041	LEVA TOPE LATERAL	LATERAL STOP WIPE	1
65	17019	ESCUADRA GIRATORIA TX	ROTATABLE SQUARE	1
66	17810	ESCUADRA FIJA TX	FIXED SQUARE	1
67	17813	CJ.TOPE LATERAL GRABADO TX	LATERAL TOP TX	1
68	17017	POMO M6X25 ROJO	RED POME M6X25	1
72	17875	CJ.MALETA TX-700	SUITCASE TX-700 SET	1
72	17876	CJ.MALETA TX-900	SUITCASE TX-900 SET	1
73	15760	CIERRE PLAST. SIMPLE54X54	SINGLE PLASTIC SHUTT 54X54	1
74	15775	CIERRE 65X30 CENTRAL TX	PLASTIC SHUTT 65X30	1
75	17809	CJ.ESCUADRA TX	SQUARE SET	1
76	17007	ARAND DIN 988 6X12X0,5 REGL.	WASHER DIN 988 6X12X0,5 REGL.	1
77	45051	TORN DIN 912 M6X16 ZN	SCREW DIN 912 M6X16 ZN	1
78	40020	TUERCA DIN 985 M6 ZN AUTOBLOC	NUT DIN 985 M6 ZN AUTOBLOC	1
79	17578	ARAND A8	WASHER A8	1
80	17806	CJ.SEPARADOR TX	SEPARATOR SET TX	1

Ref. 91243



TX-700-900

Ref.17978, 17979, 17980, 17981

Fecha / Date:01/03/13

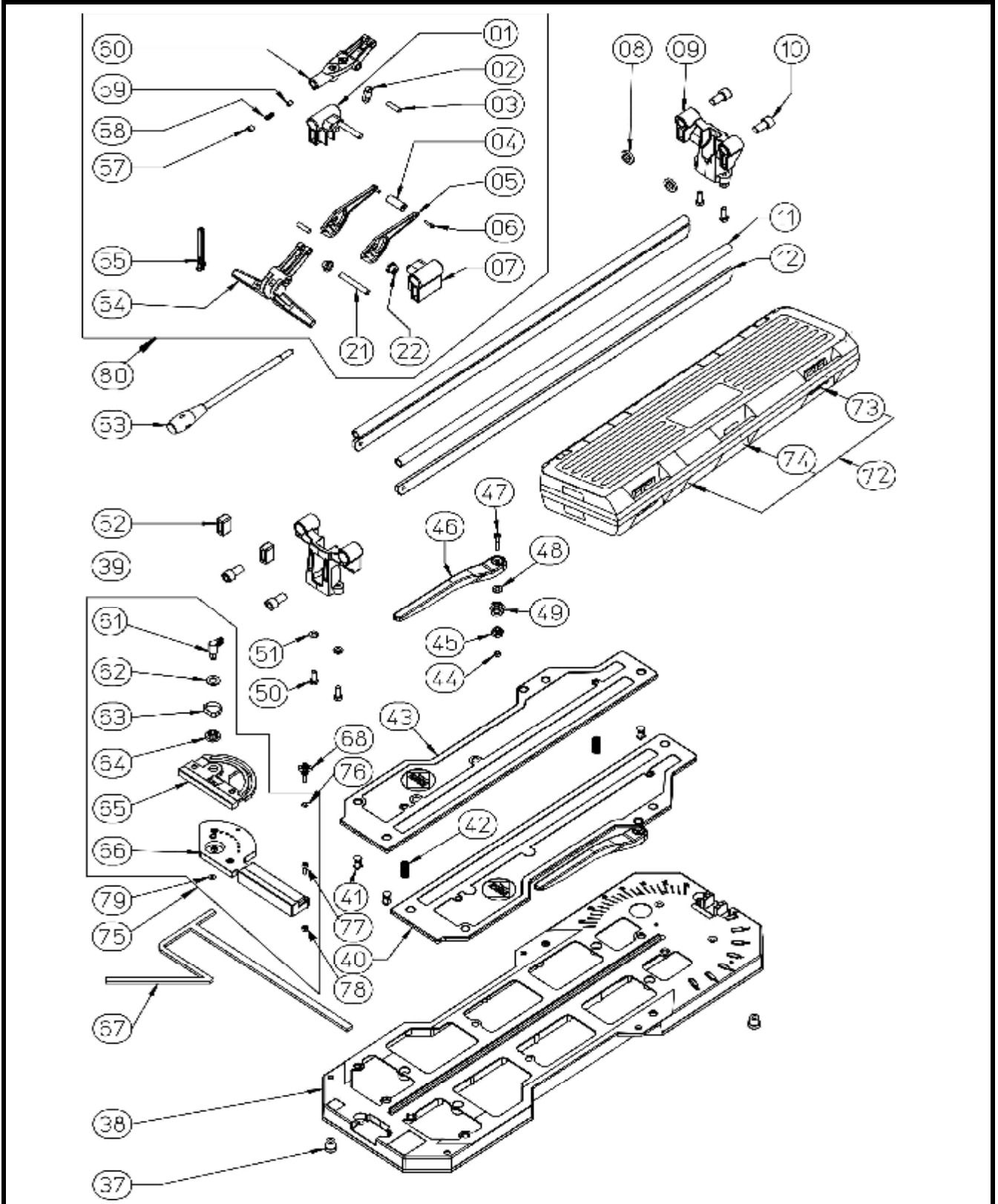
Revision: 3.12

GERMANS BOADA S.A.

Queda reservado el derecho de introducir cualquier modificación técnica sin previo aviso

We reserve the right to introduce any technical modification without previous notice

Pos	Ref,	Designación	Descripcion	N.P.M
-----	------	-------------	-------------	-------



Ref. 91243